



AMERI-CAN

MACHINERY LTD.

VC45/14 V-Mitre Saw

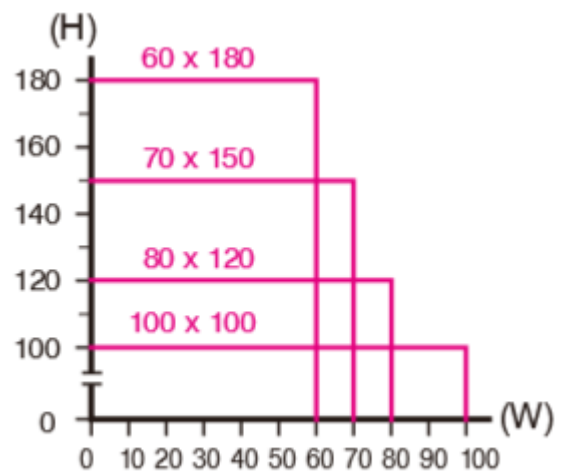
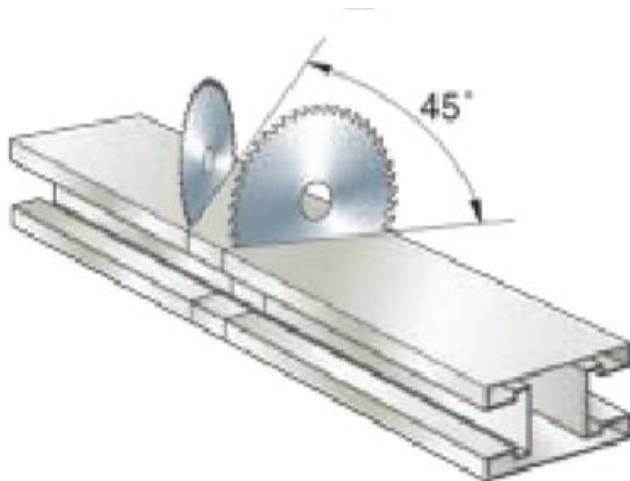
The **VC45/14 V-Mitre Saw**, is the ideal machine for cutting PVC and Aluminum mitred frames. With two blades fixed at 45 degrees you are guaranteed a perfect mitre every time and with 2 horizontal and 1 vertical clamp, your material is held safe and secured.

Components supplied:

- Twin 1.5kW (2HP) induction Motors 230V
- Twin 355mm blades (355 mm x 3.0 x 2.5 x 25.4 x 120)
- 100mm H x 100mm W Cutting Capacity @45
- Adjustable Hydro-Pneumatic blade feed
- Foot Pedal operation
- 2 Horizontal Clamps
- 1 Vertical Clamp
- Automatic Clamp operation
- Twin blade spray-mist lubrication
- Fully Guarded Steel hood
- Ideal for Window profiles



Cutting Graph



AMERI-CAN MACHINERY LTD.

2650 MEADOWVALE BLVD., UNIT 5, MISSISSAUGA, ONTARIO, CANADA, L5N 6M5

PHONE (905)-542-2055, FAX (905)-542-2261, Toll Free# 1-877-829-5219

WEB SITE: www.ameri-can.ca

E-MAIL: sales@ameri-can.ca